



YOUR SECURITY PARTNER

ALUMINIUM & GLASS FITTING SERIES

ARCHITECTURAL HARDWARE



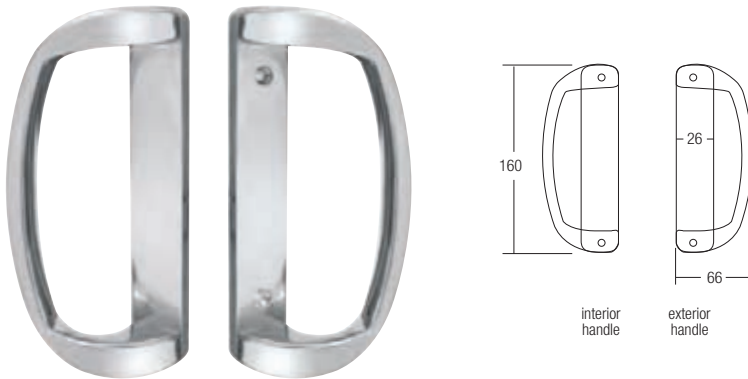
2003



2013

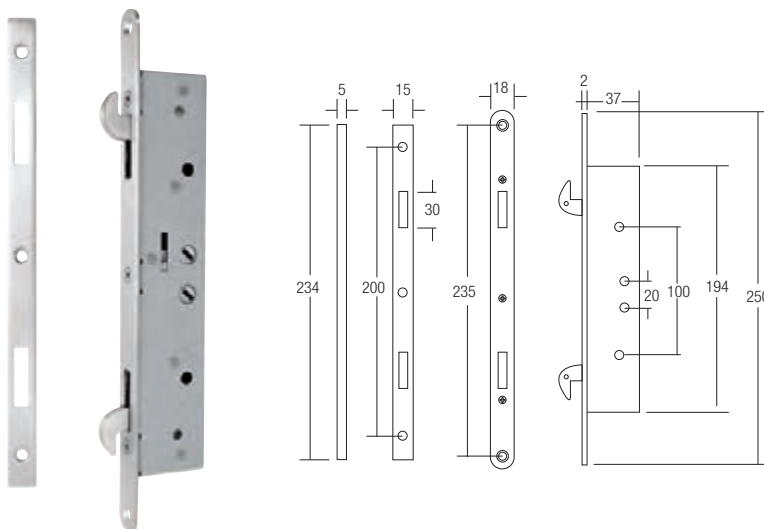


SGWSL-SGS504 Sliding Lock Dummy Handle



Code	Description	Material	Finishing	D.Thickness	Packing
SGWSL-SGS504	Sliding Lock Dummy Handle	Zinc Diecast	SN / Black / White	25-47	20 sets/ctn

SGWSL-SGSA5600 Aluminium Mortise Lockcase



Code	Description	Material	Finishing	D.Thickness	Packing
SGWSL-SGSA5600	Aluminium Mortise Lockcase	Stainless Steel	SN	32-47	30 sets/ctn

*All the measurements are in millimeter (mm)